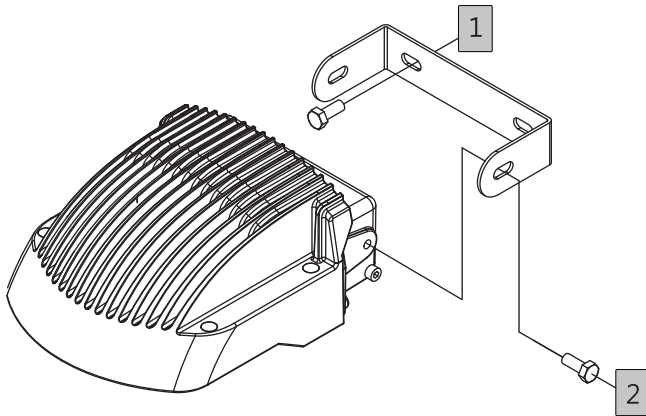


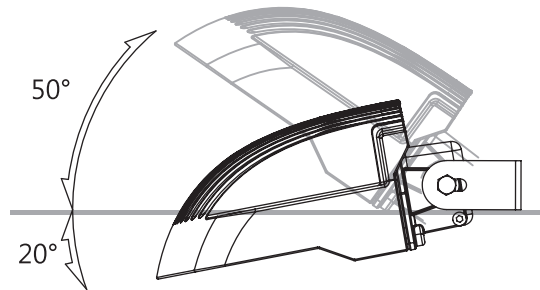
Installation

Step 1: Screw the stand to wall
Screw the short stand of Wall Pack to wall.



Step 2: Combine the stand and fixture

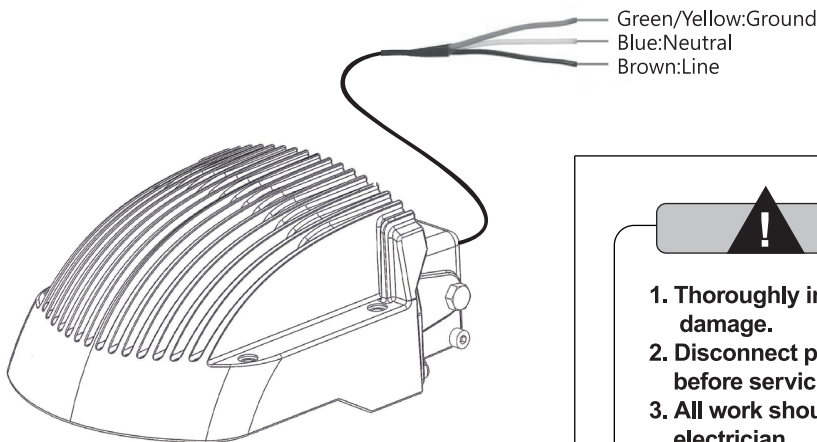
Adjust the fixture for appropriate light angles and tighten the screws. The Flange screws are applied to fasten the fixture.



Connecting

Wiring

1. Connect the brown fixture lead to the voltage supply lead with supplied wire connector.
2. Connect the blue fixture lead to the neutral supply lead with the supplied wire connector.
3. Connect the green/yellow ground lead to the supply ground with the supplied wire connector.



Connector

for 14-12 AWG Cu Sol →  ← for 20-16 AWG



WARNING

1. Thoroughly inspect the fixture for any freight damage.
2. Disconnect power during installation and before servicing.
3. All work should be performed by a qualified electrician.
4. If you do not understand these instructions, please consult your local distributor.
5. Do not install on thin wall or unstable objects.
6. Mount as a down-light only.

